

i-Mag

Sealless Mag Drive Pump



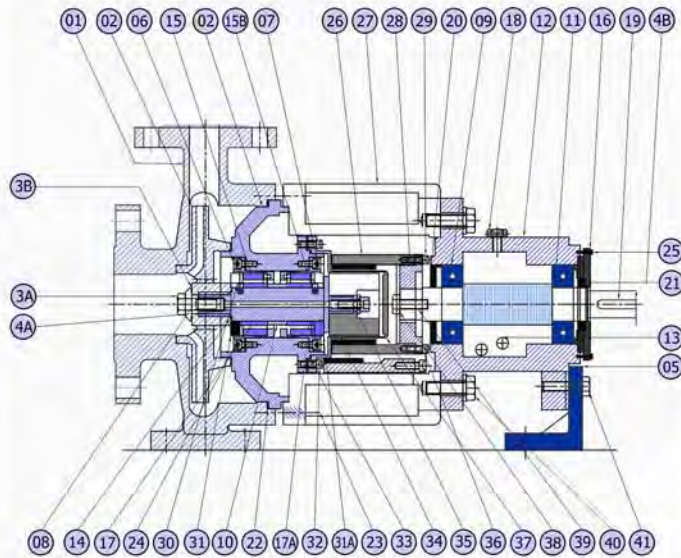
TM

investa

PERFORMANCE IS EVERYTHING

Handles : Toxic | Cryogenic | High Temperature | Inflammable Liquids

i-Mag Drive Pump



MAGNETIC PUMP CROSS SECTION AND PART LIST FOR INVESTA PUMPS.



The moving parts do not come into contact during motion and so wear is greatly reduced, leading to a higher reliability and lower maintenance. Whether your operating environments is corrosive, high pressure or at elevated temperature, magnetic couplings allow you to place your motor in a more comfortable operating environment and without dynamic seals.

Office - 3-Hind Service Industries, Shivaji Park, Dastar, Mumbai 400 028, INDIA
 Phone: +91(022) 2446 6630 / 31, Fax: +91 (022) 2444 0397,
 Email: office@investapumps.co.in

Work - Plot No. 762, Phase II, G.I.D.C., Gundlay, Dist. Valsad, Gujarat, INDIA
 Phone: +91(02632) 236 246, Fax: +91 (02632) 236 710
 Email: enq16@investapumps.co.in, Website: http://www.investapumps.com

Investa Pumps Pvt.Ltd.

		PUMP MODEL	MAGNETIC PUMP	
		PUMP SIZE	50 x 32 x 160	
		PUMP NOC	SS-316	
41	SUPPORT FOOT LOCK BOLT	SS.316	1 NO.	
40	STUFFING BOX AND ADAPTOR LOCK BOLT	SS.316	4 NO.	
39	SHAFT AND COUPLING COVER LOCK BOLT	SS.316	1 NO.	
38	SHAFT AND CARRIER COVER LOCK WASHER	SS.316	1 NO.	
37	CAN	SS.316	1 NO.	
36	SHAFT AND CARRIER LOCK BOLT	SS.316	1 NO.	
35	SHAFT AND CARRIER LOCK WASHER	SS.316	1 NO.	
34	INNER CARRIER	SS.316	1 NO.	
33	CAN GASKET	PTFE	1 NO.	
32	BACK PLATE AND CAN LOCK BOLT	SS.316	6 NO.	
31A	OUT SIDE CARBON	CARBON	1 NO.	
31	IN SIDE SIC	CARBON	1 NO.	
30	BUSH LOCK PIN	SS.316	2 NO.	
29	COUPLING LOCK LAN-KEY BOLT	SS.316	6 NO.	
28	CANISTER	SS.316	1 NO.	
27	ADAPTOR	CAST IRON	1 NO.	
26	OUTER CARRIER	W.C.P	1 NO.	
25	BOLT.BRG COVER TO BRG FRAME	SS.316	4 NO.	
24	STUD NUT ST.BOX TO CARTRIDGE	SS.316	8 NO.	
23	STUD NUT CASING	SS.316	6 NO.	
22	GASKET CASING TO ST.BOX COVER	PTFE	1 NO.	
21	OIL SEAL OUT BORD	BUNA RUBBER.	1 NO.	
20	OIL SEAL IN BORD	BUNA RUBBER.	1 NO.	
19	KEY COUPLING SIDE	SS.316	1 NO.	
18	OIL BRETHER	SS.316	1 NO.	
17	INNER BUSH	SIC	1 NO.	
16	BEARING COVER	CAST IRON	1 NO.	
15	OUTER BUSH	SIC	1 NO.	
14	IMPELLER SEAL RING	PTFE	1 NO.	
13	BEARING OIL DRAIN PLUG	SS.316	1 NO.	
12	BEARING FRAME	CAST IRON	1 NO.	
11	BEARING OUT BORD	STEEL	1 NO.	
10	SPACER	SS.316	1 NO.	
9	BEARING IN BORD	STEEL	1 NO.	
8	IMPELLER KEY	SS.316	1 NO.	
7	BUSH BEARING CARTRIDGE.	SS.316	1 NO.	
6	BUSH BEARING CARTRIDGE.	SS.316	1 NO.	
5	SUPPORT FOOT	CAST IRON	1 NO.	
4B	SHAFT-B	SS.316	1 NO.	
4A	SHAFT-A	SS.316	1 NO.	
3B	NUT GASKET	PTFE	1 NO.	
3A	IMPELLER NUT	SS.316	1 NO.	
3	IMPELLER	SS.316	1 NO.	
2	STUFFING BOX/BACK PLATE	SS.316	1 NO.	
1	CASING	SS.316	1 NO.	
PART NO	DESCRIPTION	Material of Construction	Qty Reqd	SIZE

Introduction

Investa Pumps now introduces the I-Mag series of Pumps as the Mag Drive Pumps. These Pumps are used in Pumping high amount of Cryogenic or Toxic Fluids where emissions of chemicals is a major issue. Investa provides these pumps in ISO 2858/5199 Standards with Closed Impellers for Pumping Liquids with higher Pump efficiencies.

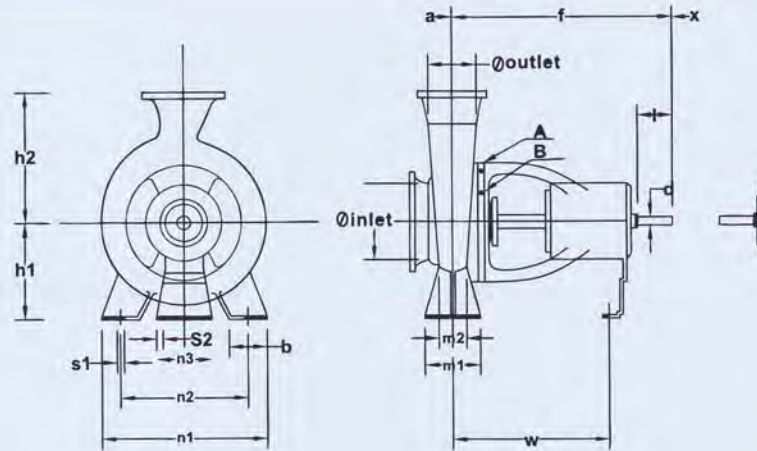
Sealless Pump

- Available in All Grades of Stainless Steel and other Exotic Metals (Alloy 20, Hast B and C)
- Can handle temperature upto 240 Degree Centegrade
- Equipped with High Alpha Sintered SiC Bush Bearings with Equivalent Slots Grooved on it
- Also comes with NdFeBD and SmCo Rare Earth Magnets tackling all the cryogenic and toxic liquids at high temperatures.
- All the Shafts are drilled completely hollow.
- Special Carbon Impregnated Sic Bush provided for Dry Run Protection.
- These Pumps are available upto 25HP.

Applications

- Industrial & Chemical Industries:
Acids, alkalies, hydrocarbons, heat transfer oils, liquid gases, toxic and explosive chemicals.
- Pharma & Cosmetic Industries: Low viscosity surfactants, acids and CIP chemicals.
- Food & Beverages Industries: CIP chemicals like sodium hydroxide, nitric acid, hydrogen peroxide and pumping water treatment chemicals.

TABLE - Nominal duty points and dimensions



Size Designation			Nominal duty point				Dimension in millimeters															
Inlet mm	Outlet	Impeller (nominal)	n 1450 min?		N 2900min		Pump				Support					Clearance Holes for bolts		d	l	x		
			Q ₂ M ³	H m	QH m/h ²	H m	a	f	h1	h2	b	m1	m2	n1	n2	n3	w				S1	S2
50	32	125	6,3	5	12,5	20	80	385	112	140	50	100	70	190	140	100	235	M12	M12	24	50	100
50	32	160		8		32			132	160				240	190							
50	32	200		12,5		50			160	180				265	212							
65	40	125	12,5	5	25	20	80	385	112	140	50	100	70	210	160	110	285	M12	M12	24	50	100
65	40	160		8		32			132	160				240	190							
65	40	200		12,5		50			160	180				265	212							
80	50	125	25	5	50	20	100	385	132	160	50	100	70	240	190	110	285	M12	M12	24	50	100
80	50	160		8		32			160	180				240	190							
80	50	200		12,5		50			160	200				265	212							



Investa Pumps Pvt. Ltd.

Corporate Office :

3-Hind Service Industries, Shivaji Park,
Dadar, Mumbai 400 028. INDIA
Phone: +91(022) 2446 0630 / 31,
2447 4434, 3240 3208
Fax: +91 (022) 2444 0397
Email: office@investapumps.co.in

Workshop :

Plot No. 762, Phase II, G.I.D.C., Gundlav,
Dist. Valsad, Gujarat. INDIA
Phone: +91(02632) 236246, 329781
Fax: +91 (02632) 236710
Email: engg1@investapumps.co.in
Website: http://www.investapumps.com

* Dimensions and Technical Details are subject to change without prior notice